

PRELIMINARY

Technical Information Manual

Revision n. 1
24 April 2007

MOD. A3000NF
3-PHASE NOTCH FILTER
MANUAL REV. 1

NPO:
00120/04:3000N.MUTx/01

CAEN will repair or replace any product within the guarantee period if the Guarantor declares that the product is defective due to workmanship or materials and has not been caused by mishandling, negligence on behalf of the User, accident or any abnormal conditions or operations.

CAEN declines all responsibility for damages or injuries caused by an improper use of the Modules due to negligence on behalf of the User. It is strongly recommended to read thoroughly the CAEN User's Manual before any kind of operation.



CAEN reserves the right to change partially or entirely the contents of this Manual at any time and without giving any notice.

TABLE OF CONTENTS

1.	A3000NF 3 PHASE NOTCH FILTER FOR A A3486.....	4
1.1	TECHNICAL DESCRIPTION	4
1.2	REAR PANEL COMPONENTS.....	4
1.3	PACKAGING.....	4
1.4	IN CONNECTOR.....	5
1.5	OUT CONNECTOR.....	5
1.6	EARTH.....	6
1.7	ELECTRICAL SCHEME	6

LIST OF FIGURES

FIG. 1.1 – A3000NF REAR PANEL	4
FIG. 1.2 – HARTING FEMALE CONNECTOR.....	5
FIG. 1.3 – HARTING MALE CONNECTOR	5
FIG. 1.4 – MOD. A3000NF ELECTRICAL SCHEME.....	6

1. A3000NF 3 Phase Notch Filter for a A3486

1.1 Technical description

The CAEN Mod. A3000NF is a two channel notch filter to be used with the A3486 3-Phase 220/400 Vac – 48 Vdc converter. I/O connectors are housed on the module rear panel.

1.2 Rear panel components



Fig. 1.1 – A3000NF Rear panel

1.3 Packaging

The module is housed in a 3U 19" Euro Rack, 50 cm deep. The rear panel houses the Earth section, the two channel I/O connectors and six T20A Fuses (three per channel).

1.4 IN Connector

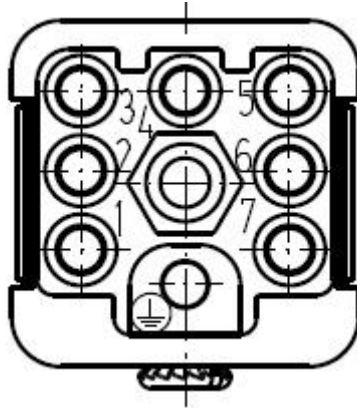


Fig. 1.2 – Harting female connector

Type: Harting 09 12 007 3101; Female insert, Han Q 7/0 Series Han Q;
Loading Pin: 09 12 000 9902

Pin:	Phase:
1, 2	R
3, 4	S
5, 6	T
7	n.c.

1.5 OUT Connector

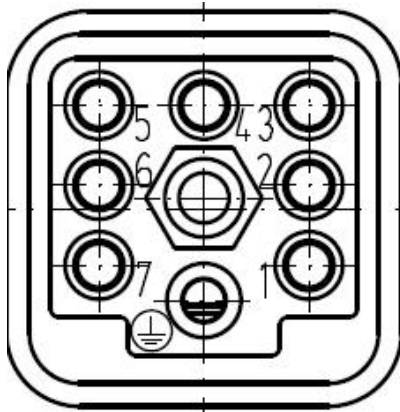


Fig. 1.3 – Harting male connector

Type: Harting 09 12 007 3001; Male insert, Han Q 7/0 Series Han Q;
Loading Pin: 09 12 000 9901

Pin:	Phase:
1, 2	R
3, 4	S
5, 6	T
7	n.c.

1.6 Earth

This section provides the Earth auxiliary reference and includes:
1 Earth RADIALL R921921 type connector

1.7 Electrical scheme

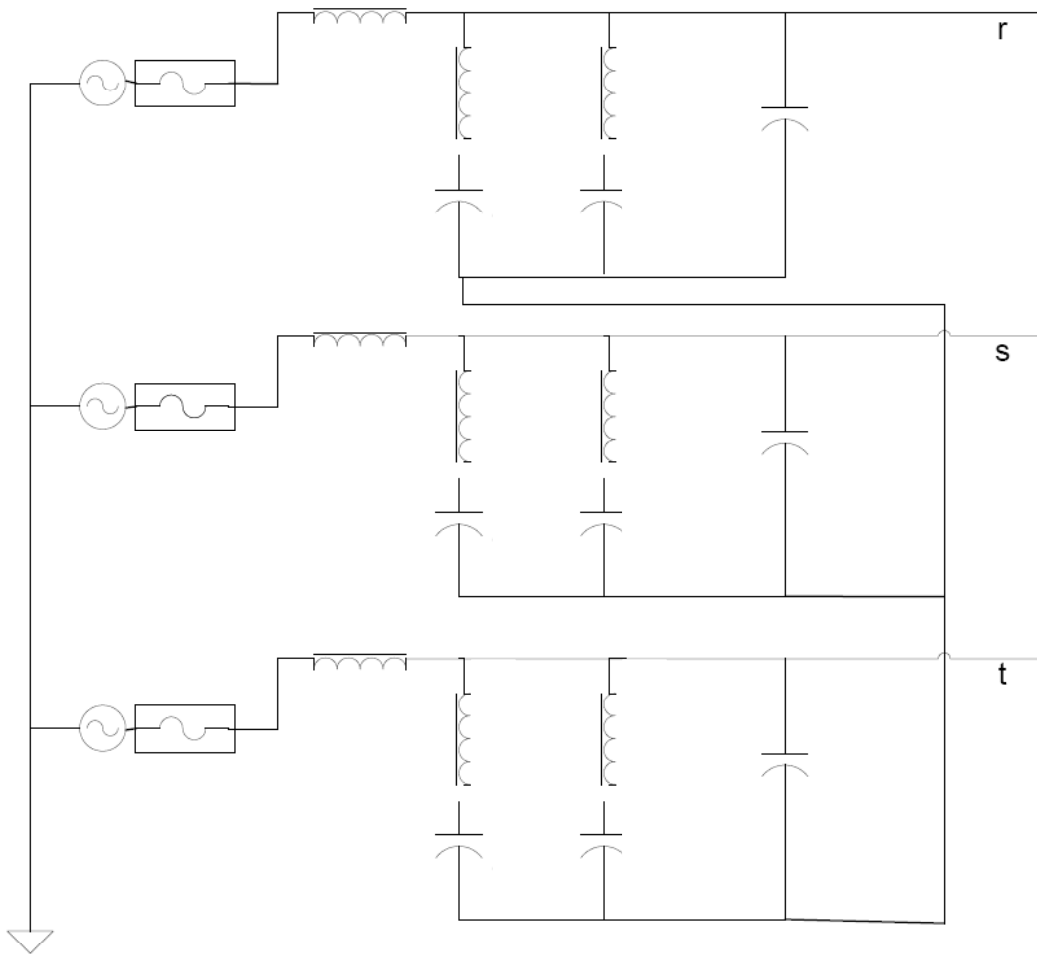


Fig. 1.4 – Mod. A3000NF Electrical scheme